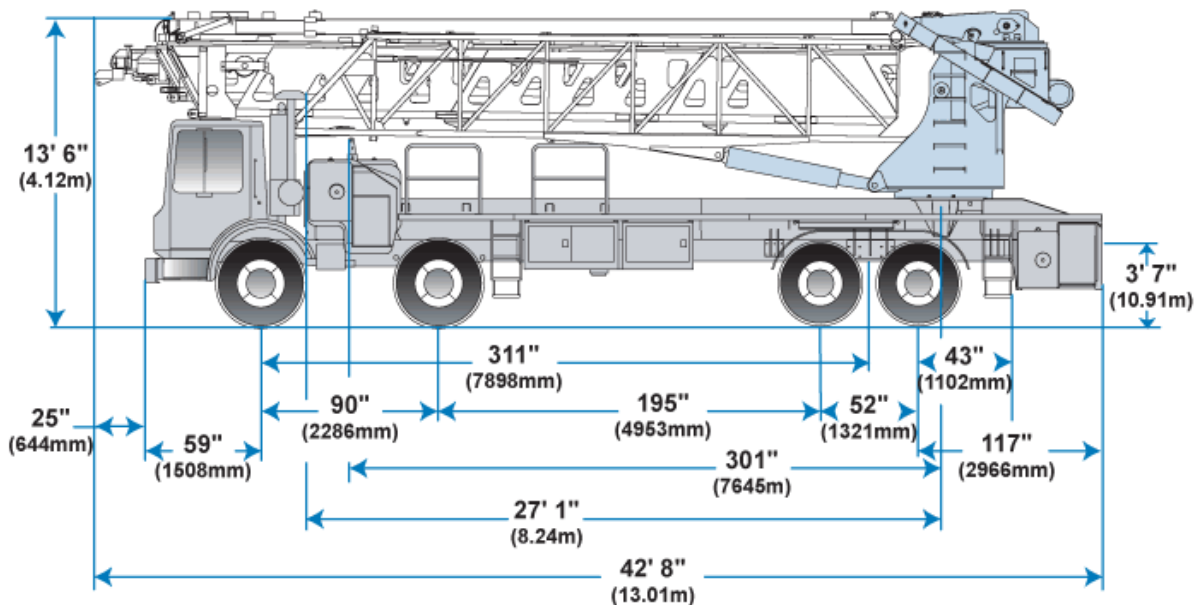


BRUNDAGE-BONE & BLANCHET, LLC

TB 130 Specifications



Truck-Mounted Weights

Steering	34,723 lbs (15,748kg)
Tandem	42,509 lbs (19,279kg)
Total	77,232 lbs (35,027kg)

Height & Reach

Number of sections	5
Conveyor horizontal reach: maximum at 0°	126' 6" (38.56m)
Conveyor horizontal reach: maximum at 29°	110' 9" (33.74m)
Conveyor belt width	18" (457mm)
Feed conveyor length	38' 0" (11.60m)
Feed conveyor belt width	18" (457mm)

Trunk/end hose length	15' 0" (4.57m)
Discharge height from grade: maximum at 29°	68' 3" (20.81m)
Discharge height from grade: maximum at -15°	-25' 10" (-7.86m)
Rated capacity at 0°: main and feed conveyors by minute	5.00 yd ³ /min (4.00m ³ /min)
Rated capacity up to 20°: main and feed conveyors by minute	3.80 yd ³ /min (2.90m ³ /min)
Rotation-hydraulic	360°

Outriggers

Net reach beyond outriggers: at 0°	120' 9" (36.81m)
Net reach beyond outriggers: at 29°	105' 0" (31.99m)
Outrigger spread L - R - front hydraulically rotate out and down	27' 9" (8.46m)
Outrigger spread L - R - rear hydraulically rotate out and down	29' 0" (8.84m)
Outrigger load: Front	37,320 lbf (166 kN)
Outrigger load: Rear	45,190 lbf (201 kN)

All specifications apply to units mounted on MACK MRU 613.

Weights are approximate and include conveyor truck, fuel, driver and 100 gal (379L) of water.

Truck dimensions will vary with different makes, models and specifications.

Maximum theoretical values listed.