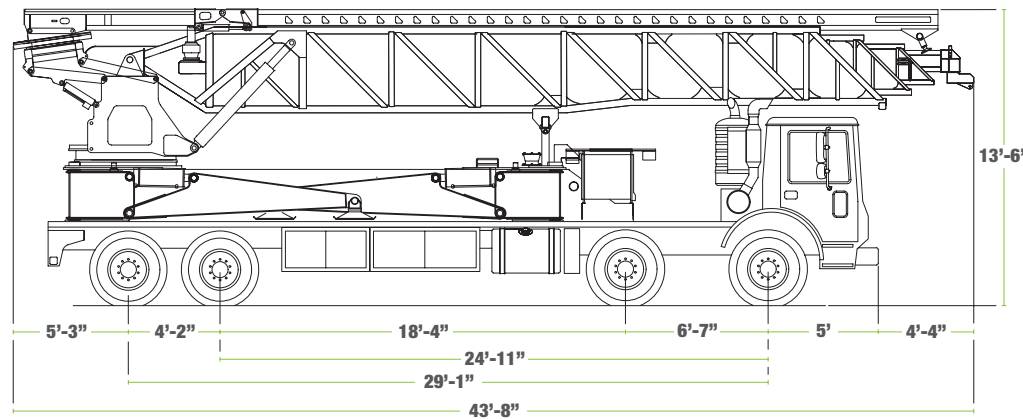


# SPECIFICATIONS

## LB33T4-20

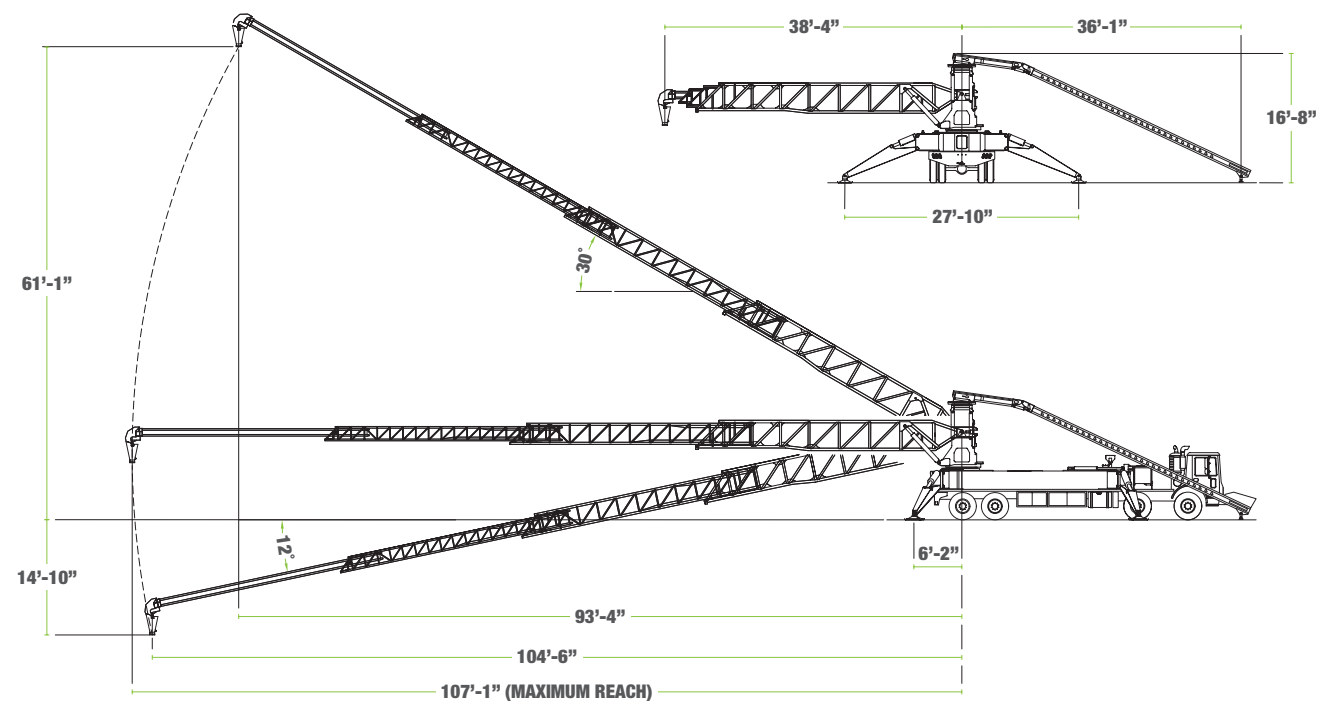
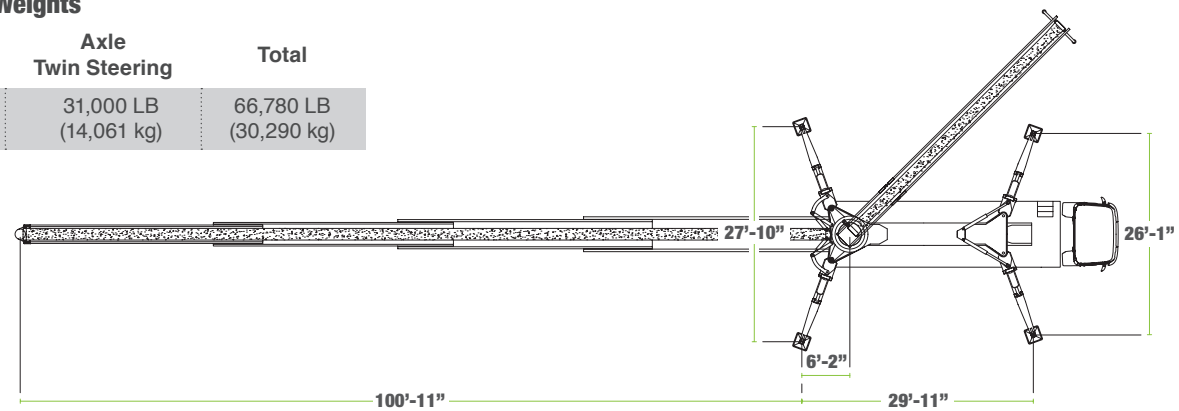


### General Dimensions

Height	13' 6" 4.11 Meters
Width	8' 6" 2.59 Meters
Length	43' 8" 13.31 Meters

### Transport Axle Weights

Axle Tandem Rear	Axle Twin Steering	Total
35,780 LB (16,229 kg)	31,000 LB (14,061 kg)	66,780 LB (30,290 kg)



### Conveyors

	U.S.	Metric
Conveyor horizontal reach		
Maximum at 0°	107' 1"	32.64 m
Maximum at 30°	93' 4"	28.45 m
Conveyor belt width	20"	508 mm
Feed conveyor length	40'	12.19 m
Feed conveyor belt width	20"	508 mm
Discharge height from grade		
Maximum at 30°	61' 1"	18.62 m
Maximum at -12°	14' 10"	4.52 m
Main & feed conveyors		
Observed capacity at 0°	8.40 cu yds/min	4.47 cu m/min
Observed capacity at 25°	5.33 cu yds/min	3.42 cu m/min

### Outriggers

	U.S.	Metric
Net reach beyond outriggers		
Maximum at 0°	100' 11"	30.76 m
Maximum at 30°	87' 2"	26.57 m
Outrigger spread L-R front hydraulic out	26' 1"	7.95 m
Outrigger spread L-R rear hydraulic out	27' 10"	8.48 m
Outrigger spread front to rear	29' 11"	9.12 m

### General Specifications

	U.S.	Metric
Water tank capacity	150 gal	567.8 L
Hydraulic tank capacity (with cooler)	180 gal	681.4 L

### Truck Specifications

	U.S.	Metric
Weight	21,000 LB	9,525 kg
Engine horsepower	425 HP	317 kW
Wheelbase	324"	8,230 mm
Cab height	104"	2,642 mm
Fuel tank capacity	80 gal	303 L

All specifications are subject to change.