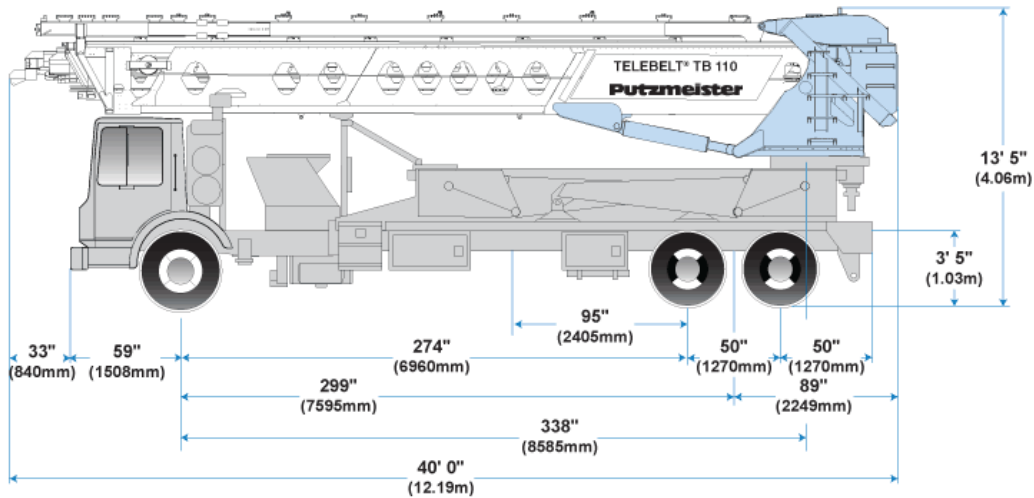


BLANCHET CONCRETE PUMPING LLC

TB 110 Specifications



Truck-Mounted Weights

Steering	19,008 lbs (8,621kg)
Pusher	10,000 lbs (4,535kg)
Tandem	33,754 lbs (15,309kg)
Total	62,465 lbs (28,465kg)

Height & Reach

Number of sections	4
Conveyor horizontal reach: maximum at 0°	106' 1" (32.34m)
Conveyor horizontal reach: maximum at 30°	91' 6" (27.91m)
Conveyor belt width	18" (457mm)
Feed conveyor length	38' 0" (11.60m)
Feed conveyor belt width	18" (457mm)
Trunk/end hose length	15' 0" (4.57m)
Discharge height from grade: maximum at 30°	60' 2" (18.36m)

Discharge height from grade: maximum at -15°	-20' 0" (-6.11m)
Rated capacity at 0°: main and feed conveyors by minute	5.00 yd ³ /min (4.00m ³ /min)
Rated capacity up to 20°: main and feed conveyors by minute	3.80 yd ³ /min (2.90m ³ /min)

Outriggers

Net reach beyond outriggers: at 0°	100' 6" (30.65m)
Net reach beyond outriggers: at 30°	86' 0" (26.23m)
Outrigger spread L - R - front hydraulically rotate out and down	23' 1" (7.05m)
Outrigger spread L - R - rear hydraulically rotate out and down	26' 9" (8.17m)
Outrigger load: Front	30,350 lbf (135 kN)
Outrigger load: Rear	34,395 lbf (153 kN)

All specifications apply to units mounted on MACK MRU 613.

Weights are approximate and include conveyor truck, fuel, driver and 100 gal (379L) of water.

Truck dimensions will vary with different makes, models and specifications.

Maximum theoretical values listed.